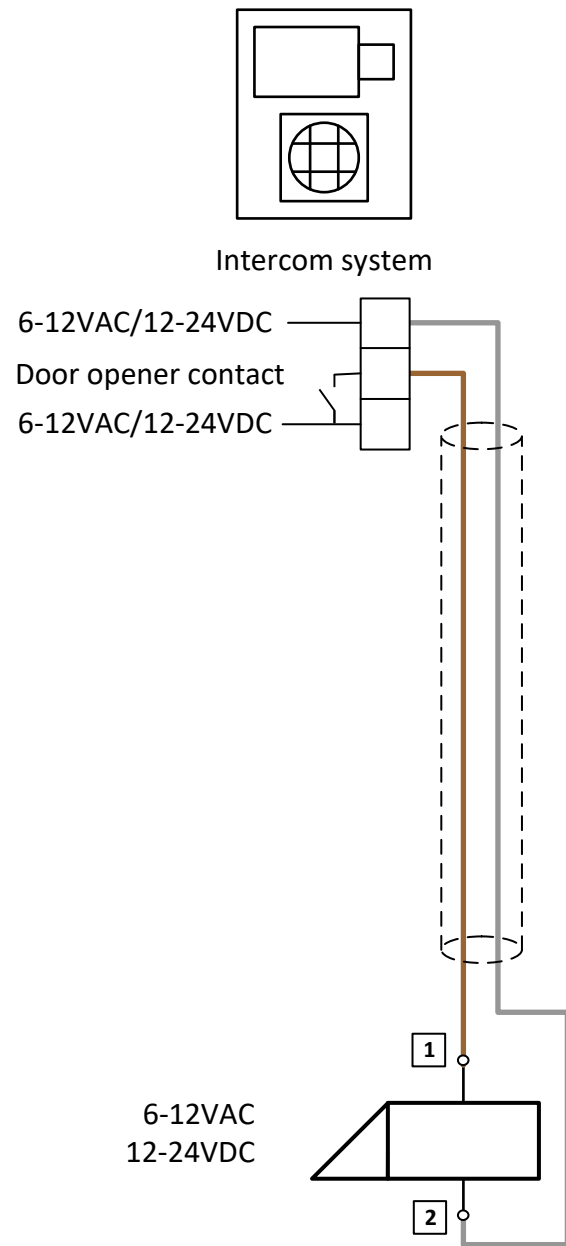
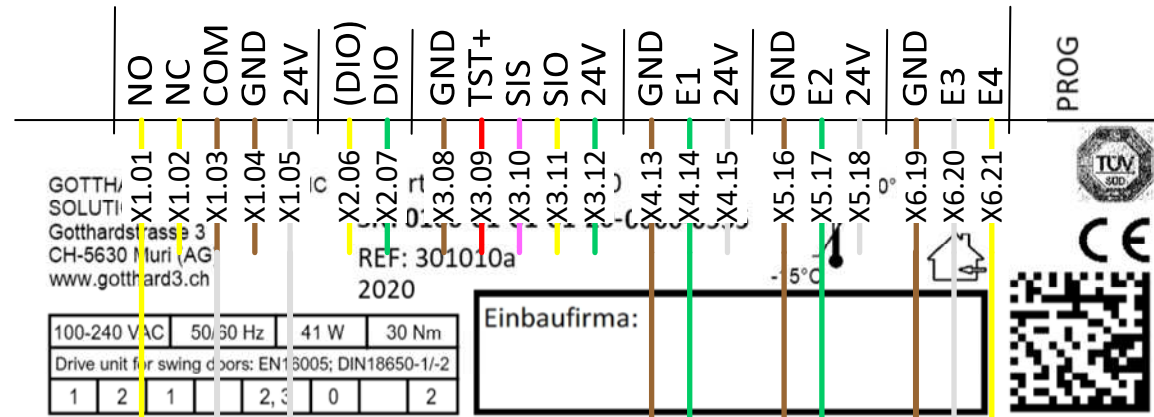
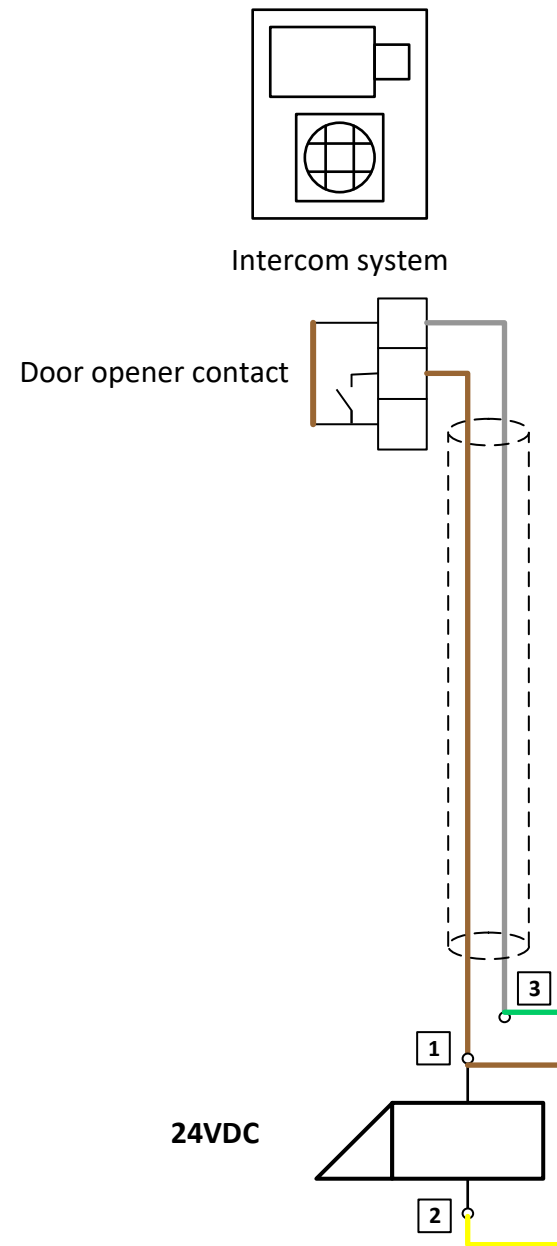


# Conversion: Connection of electric door opener with intercom (DC)

Door opener without smartdoor TURN



Door opener with smartdoor TURN



- Access control:  
e-reader / code
- Key switch
- Button
- Remote control  
e.g. timer
- Motion detector  
e.g. IR sensor

**Optional input:**

BT button, BT module, Smartphone

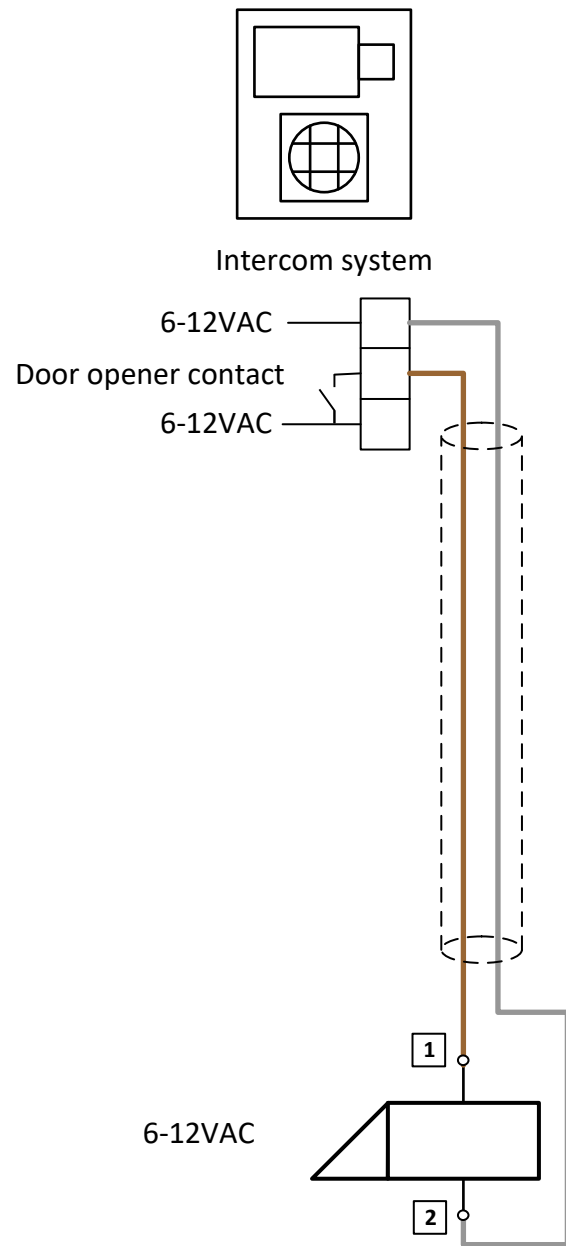
**Parameter smartdoor TURN:**

Closing force	= individual
Push&Go (on/off)	= individual
Push&Go sensitivity	= individual
Lock function (active/ina.)	= ON
Opening force	= individual
Delay time	= 0.0s
Input E1	= opening pulse (day + night)
Input E2	= opening pulse (day + night)
Input E3	= day/night operation
Input E4	= opening pulse (day only)

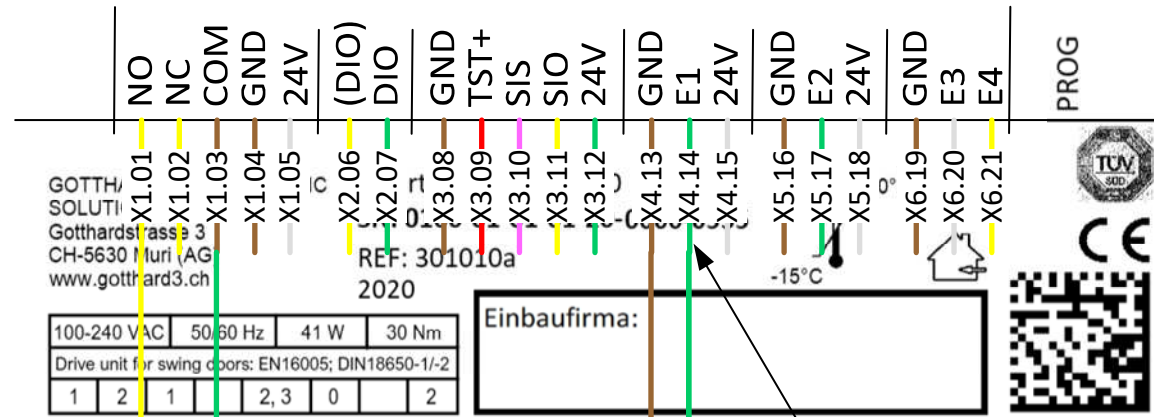
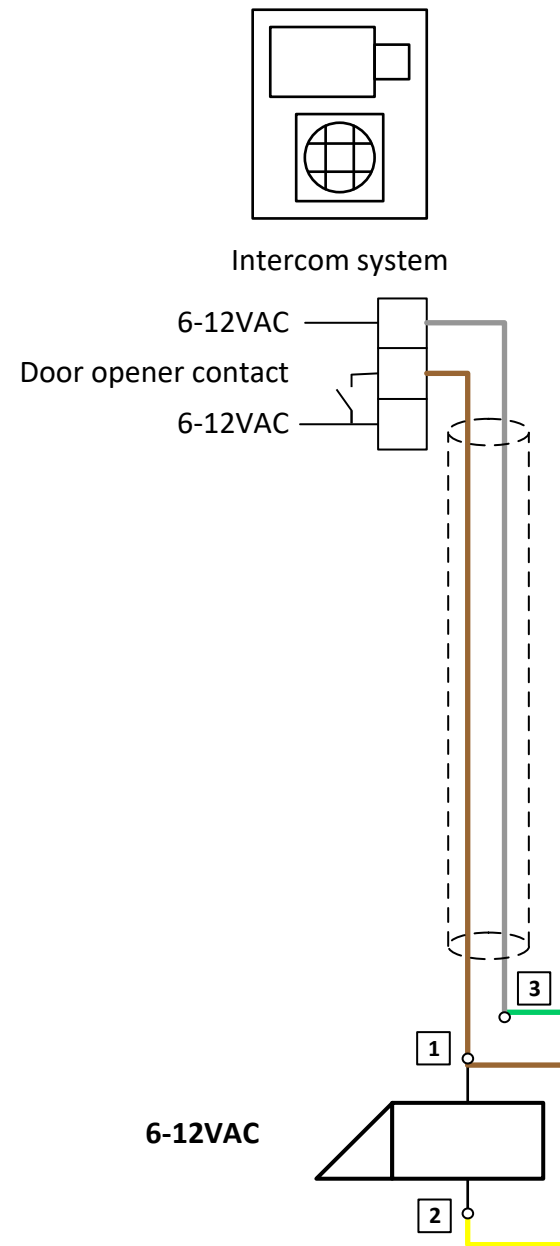


# Conversion: Connection of electric door opener with intercom (AC)

Door opener without smartdoor TURN



Door opener with smartdoor TURN



- Access control:  
e-reader / code
- Key switch
- Button
- Remote control  
e.g. timer
- Motion detector  
e.g. IR sensor

**Input E1 has external voltage and is not allowed to be used for any other purpose!**

**Optional input:**

**Parameter smartdoor TURN:**

Closing force	= individual
Push&Go (on/off)	= individual
Push&Go sensitivity	= individual
Lock function (active/ina.)	= ON
Opening force	= individual
Delay time	= 0.0s
Input E1	= opening pulse (day + night)
Input E2	= NONE
Input E3	= NONE
Input E4	= NONE

